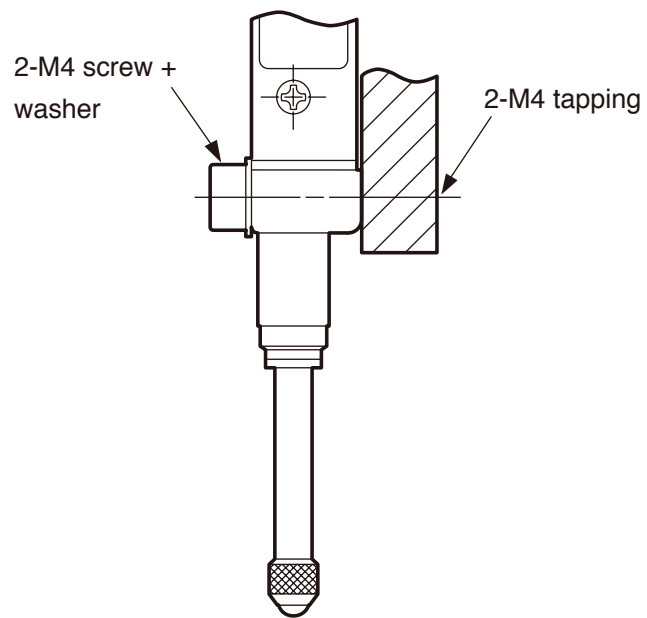
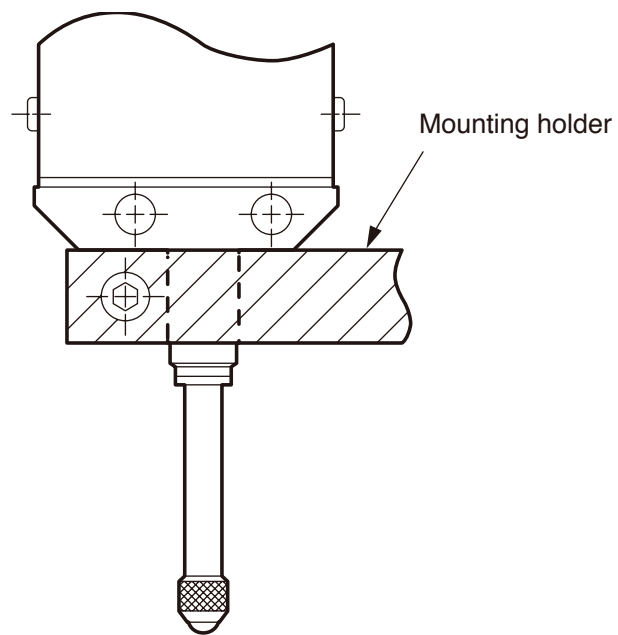


DT12/512/32 installation cautions

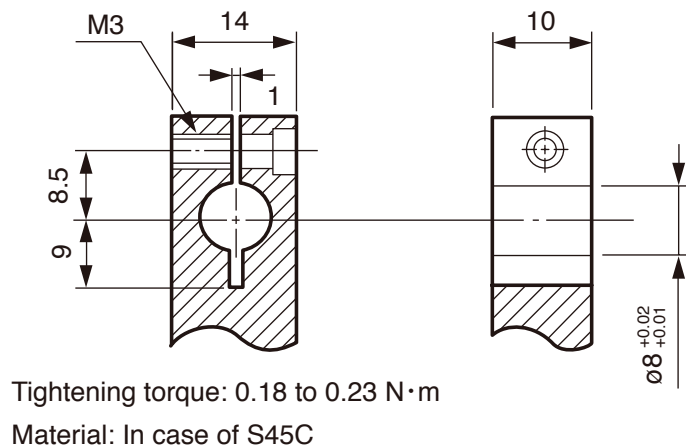
Mounting method using mounting hole



Mounting method using holder



Mounting holder dimensions and tolerance



Unit: mm